

EFFEGIBREVETTI PLANO

SLIDING OPENING SYSTEM FOR COPLANAR DOORS

**Price list 2020
(retail)**

Distributed by:

DEEPE MARKETING CORPORATION

No. 13 Bonifacio Drive, Pasong Tamo,
Quezon City, 1107 Philippines

TEL.: +63 2 8932 7651 / +63 2 8932 5401

Fax: +63 2 8932 3445

Email: marketing@deepecorp.com.ph

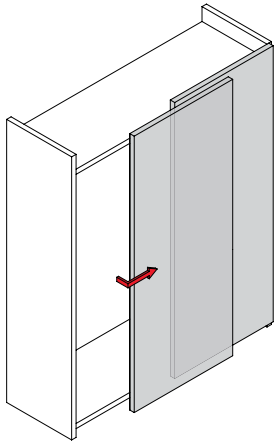
Website: www.deepecorp.com.ph

EFFEGIBREVETTI 

PLANO

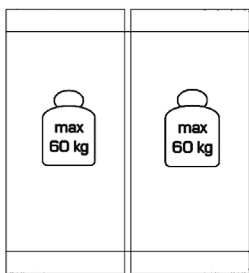


PLANO FOR 2-DOOR CABINETS	CODE	DESCRIPTION	QUANTITY	RETAIL PRICE
---------------------------	------	-------------	----------	--------------



90PLKITANDXXX	PLANO sliding unit - Right door	1 set	₱60,130.00
90PLKITANSXXX	PLANO sliding unit - Left door	1 set	
90PL3000XXX90	Aluminum track, L=3000mm	1 set	
90PLKITAMM2AN	Soft Opening kit, 2 doors	1 set	

Weight capacity per door

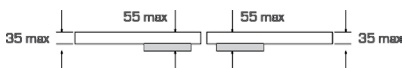


OPTIONAL ITEMS:

CODE	DESCRIPTION	QUANTITY	RETAIL PRICE
BR218B0001	BR04.02 Wooden door straightener. Back and top door adjustment, plastic grey colour	4 kits	₱4,019.00

PR7672013A	Aluminum edge profile for panel thk. 18mm, L2500mm, Brushed Titanium Anodized finish	2 pcs	₱3,372.00
------------	--	-------	-----------

Door and handle thickness



PR7673013A	Aluminum edge profile for panel thk. 18mm, L3050mm, Brushed Dark Brown Anodized finish	2 pcs	₱3,242.00
------------	--	-------	-----------

PLANO



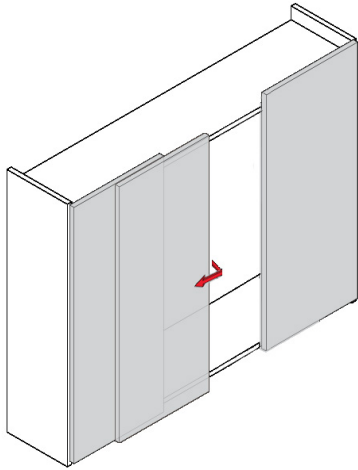
PLANO FOR 3-DOOR CABINETS
(Center door opening to the left)

CODE

DESCRIPTION

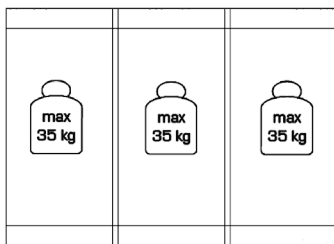
QUANTITY

RETAIL PRICE



90PLKITANDXXX	PLANO sliding unit - Right door	1 set	₱82,740.00
90PLKITANSXXX	PLANO sliding unit - Left door	1 set	
90PLKITANCXSX	PLANO sliding unit - Center door (left opening)	1 set	
90PL3000XXX90	Aluminum track, L=3000mm	1 set	
90PLKITAMM3AN	Soft Opening kit, 3 doors	1 set	

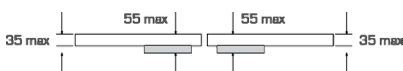
Weight capacity per door



OPTIONAL ITEMS:

CODE	DESCRIPTION	QUANTITY	RETAIL PRICE
BR218B0001	BR04.02 Wooden door straightener. Back and top door adjustment, plastic grey colour	6 kits	₱6,028.50
PR7672013A	Aluminum edge profile for panel thk. 18mm, L2500mm, Brushed Titanium Anodized finish	3 pcs	₱5,058.00
PR7673013A	Aluminum edge profile for panel thk. 18mm, L2500mm, Brushed Dark Brown Anodized finish	3 pcs	₱4,862.50

Door and handle thickness



PLANO



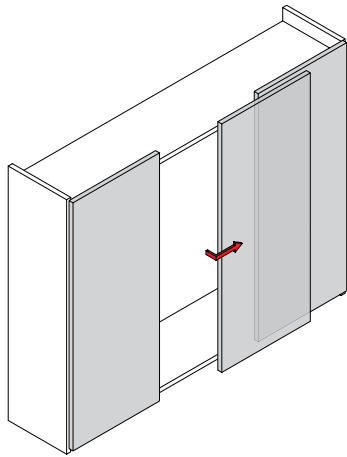
PLANO FOR 3-DOOR CABINETS
(Center door opening to the right)

CODE

DESCRIPTION

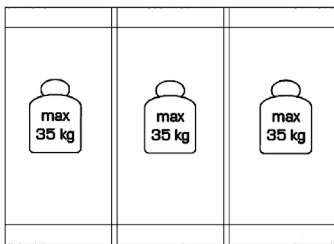
QUANTITY

RETAIL PRICE



90PLKITANDXXX	PLANO sliding unit - Right door	1 set	₱82,740.00
90PLKITANSXXX	PLANO sliding unit - Left door	1 set	
90PLKITANCXDX	PLANO sliding unit - Center door (right opening)	1 set	
90PL3000XXX90	Aluminum track, L=3000mm	1 set	
90PLKITAMM3AN	Soft Opening kit, 3 doors	1 set	

Weight capacity per door



OPTIONAL ITEMS:

CODE	DESCRIPTION	QUANTITY	RETAIL PRICE
BR218B0001	BR04.02 Wooden door straightener. Back and top door adjustment, plastic grey colour	6 kits	₱6,028.50
PR7672013A	Aluminum edge profile for panel thk. 18mm, L2500mm, Brushed Titanium Anodized finish	3 pcs	₱5,058.00
PR7673013A	Aluminum edge profile for panel thk. 18mm, L2500mm, Brushed Dark Brown Anodized finish	3 pcs	₱4,862.50

Door and handle thickness

